

Tous droits strictement réservés. Reproduction ou communication à des tiers sans autorisation écrite du propriétaire. Droits de reproduction BERG ELECTRONICS by

**FCI**

All rights strictly reserved. Reproduction or issue to third parties in any form without written authority from the proprietor. Copyright BERG ELECTRONICS by

DESCRIPTION : ABOVE PCB, DECK AND PUSH ROD LOCATION ARE AS VIEW BY USER.

PRODUCT NO.	PUSH ROD LOCATION	STAND-OFF HEIGHT	MATING RECEPTACLE (B)	P.C.B SIDE	RECOMMENDED P.C.B LAYOUT	MOUNT STYLE TO PCB AND PUSH ROD SIDE			
(A) 73704-****									
000CA/000CALF	RIGHT	0.0	100 POSITIONS (2x50) 0.8mm RECEPTACLE PART NO. 73277-101000 73277-101000LF	ABOVE	SEE DRAWING NO.: TA-1050				
020CA/020CALF	RIGHT	2.0							
022CA/022CALF	RIGHT	2.2							
040CA/040CALF	RIGHT	4.0							
043CA/043CALF	RIGHT	4.3							
050CA/050CALF	RIGHT	5.0							
100CA/100CALF	LEFT	0.0				100 POSITIONS (2x50) 0.8mm RECEPTACLE PART NO. 73277-101000 73277-101000LF	BELOW	SEE DRAWING NO.: TA-1050	
120CA/120CALF	LEFT	2.0							
122CA/122CALF	LEFT	2.2							
140CA/140CALF	LEFT	4.0							
143CA/143CALF	LEFT	4.3							
150CA/150CALF	LEFT	5.0							
522CA/522CALF	RIGHT	2.2	100 POSITIONS (2x50) 0.8mm RECEPTACLE PART NO. 73277-101000 73277-101000LF	BELOW	SEE DRAWING NO.: TA-1050				
540CA/540CALF	RIGHT	4.0							
543CA/540CALF	RIGHT	4.3							
550CA/550CALF	RIGHT	5.0							
622CA/622CALF	LEFT	2.2							
640CA/640CALF	LEFT	4.0							
643CA/643CALF	LEFT	4.3							
650CA/650CALF	LEFT	5.0							

ORDERING INFORMATION

THREADED INSERT ASSEMBLED BY BERG			
NAME	PART NO.		Q'TY
(A) EJECT HEADER ASS'Y	73704-****	73704-****LF	1
(B) MATING RECEPTACLE	73277-101000	73277-101000LF	1

mat'l code		tolerance unless otherwise specified		CUSTOMER COPY		<b>FCI</b> www.fciconnect.com														
rev.	ecn no.	dr	date	linear	± 0.30	projection	title													
H	N05-0088	W	B03/24/05																	
C	T80400	W	L09/08/98	angles	± 2°		CARDBUS EJ HEADER SMT, TYPE 1/2/3													
D	T80440	W	L10/08/98	dr	WENDY CHEN	05/09/97														
E	T90178	W	L05/04/99	engr	JOSEPH HSIA	05/09/97	product family													
F	T00104	W	L04/14/00	chr	JOSEPH HSIA	05/09/97	PCMCIA													
G	T20327	W	L11/13/02	appd	JENN TSAO	05/09/97	code													
sheet	revision	H	H	H	H	H	H	H	H	H	H	H	H	H	H	H	H	H	H	
index	sheet	1	2	3	4	5	6	7	8	9	10	11								
				unit		mm/inch		size		dwg no.		sheet		1 of 11						
				scale		1:1		A3		73704										

DESCRIPTION : ABOVE PCB, DECK AND PUSH ROD LOCATION ARE AS VIEW BY USER.

PRODUCT NO.	PUSH ROD LOCATION	STAND-OFF HEIGHT	MATING RECEPTACLE (B)	P.C.B SIDE	RECOMMENDED P.C.B LAYOUT	MOUNT STYLE TO PCB AND PUSH ROD SIDE
(A) 73704-*****						
000CAS/000CASLF	RIGHT	0.0	100 POSITIONS (2x50) 0.8mm RECEPTACLE PART NO. 73277-101000 73277-101000LF	ABOVE	SEE DRAWING NO.: TA-1050	
020CAS/020CASLF	RIGHT	2.0				
022CAS/022CASLF	RIGHT	2.2				
040CAS/040CASLF	RIGHT	4.0				
043CAS/043CASLF	RIGHT	4.3				
050CAS/050CASLF	RIGHT	5.0				
100CAS/100CASLF	LEFT	0.0				
120CAS/120CASLF	LEFT	2.0				
122CAS/122CASLF	LEFT	2.2				
140CAS/140CASLF	LEFT	4.0				
143CAS/143CASLF	LEFT	4.3	100 POSITIONS (2x50) 0.8mm RECEPTACLE PART NO. 73277-101000 73277-101000LF	BELOW	SEE DRAWING NO.: TA-1050	
150CAS/150CASLF	LEFT	5.0				
522CAS/522CASLF	RIGHT	2.2				
540CAS/540CASLF	RIGHT	4.0				
543CAS/543CASLF	RIGHT	4.3				
550CAS/550CASLF	RIGHT	5.0				
622CAS/622CASLF	LEFT	2.2				
640CAS/640CASLF	LEFT	4.0				
643CAS/643CASLF	LEFT	4.3				
650CAS/650CASLF	LEFT	5.0				

ORDERING INFORMATION

THREADED INSERT ASSEMBLED BY BERG			
NAME	PART NO.		Q'TY
(A) EJECT HEADER ASS'Y	73704-*****	73704-*****LF	1
(B) MATING RECEPTACLE	73277-101000	73277-101000LF	1

mat'l code	tolerance unless otherwise specified	CUSTOMER COPY		
rev. ecn no. dr date	linear ± 0.30	projection	title CARDBUS EJ HEADER SMT, TYPE 1/2/3	
H	angles ± 2°		product family : PCMCIA code TWN	
	dr WENDY CHEN 05/09/97	unit mm/inch	size A3	sheet 2 of 2
	enr JOSEPH HSIA 05/09/97	scale 1:1	dwg no. 73704	
	chr JOSEPH HSIA 05/09/97			
	app JENN TSAO 05/09/97			
sheet revision				
index sheet				

Tous droits strictement reserves. Reproduction ou communication a des tiers int sous quelque forme que ce soit sans autorisation ecrite du proprietaire. Property of c BERG ELECTRONICS. Droits de reproduction BERG ELECTRONICS by

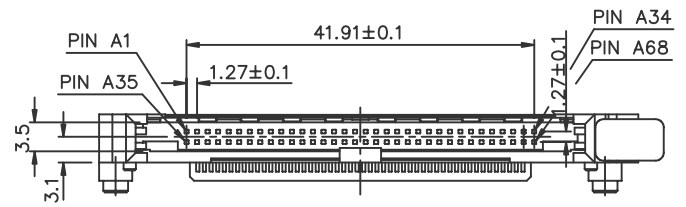
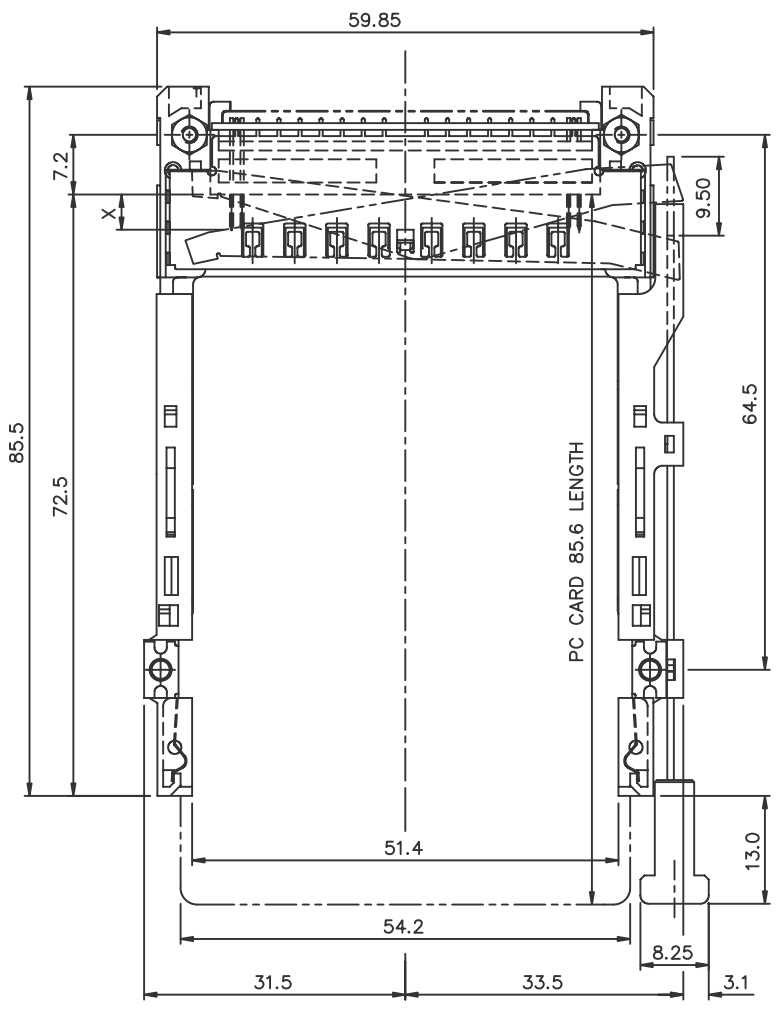
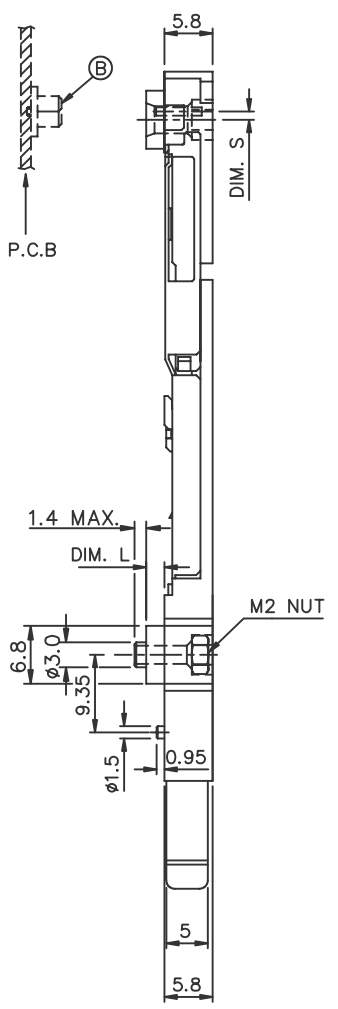
FCI

All rights strictly reserved. Reproduction or issue to third parties in any form without the written authority from the proprietor. Copyright BERG ELECTRONICS by

Tous droits strictement réservés. Reproduction ou communication a des tiers int sous quelque forme que ce soit sans autorisation écrite du propriétaire. Property of c BERG ELECTRONICS. Droits de reproduction BERG ELECTRONICS by

All rights strictly reserved. Reproduction or issue to third parties in any for whatever is not permitted without written authority from the proprietor. Property of c BERG ELECTRONICS. Copyright BERG ELECTRONICS by

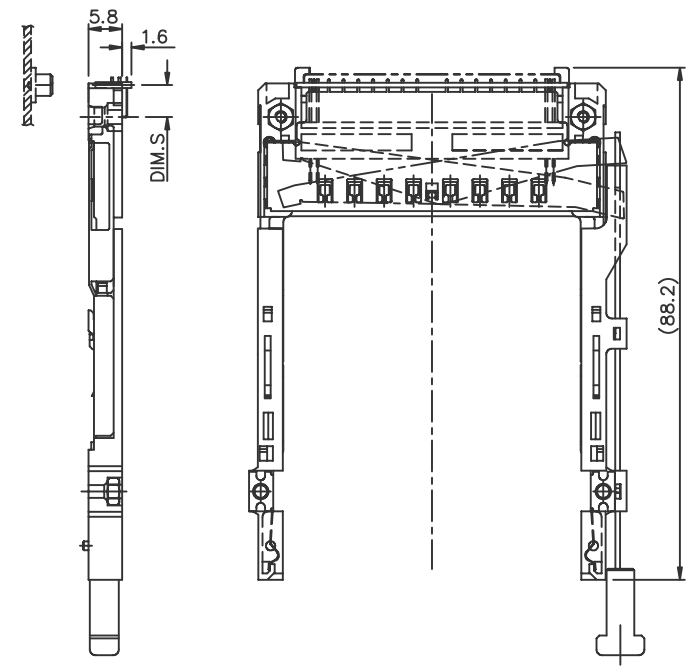
PRODUCT NO.  
SEE TABLE A



P/N : 73704-0\*\*CA/0\*\*CALF  
(ABOVE P.C.B/LAYOUT SEE TA-1050)

TABLE A

(A) PRODUCT NO.	STAND-OFF(DIM. L)	DIM. S
73704-050CA/050CALF	5.0 mm	-0.3
-043CA/043CALF	4.3 mm	-0.3
-040CA/040CALF	4.0 mm	-0.3
-022CA/022CALF	2.2 mm	1.0
-020CA/020CALF	2.0 mm	1.0
-000CA/000CALF	NONE	5.5

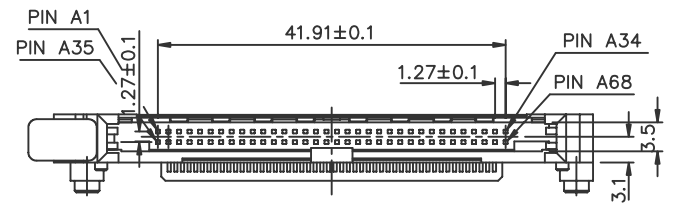
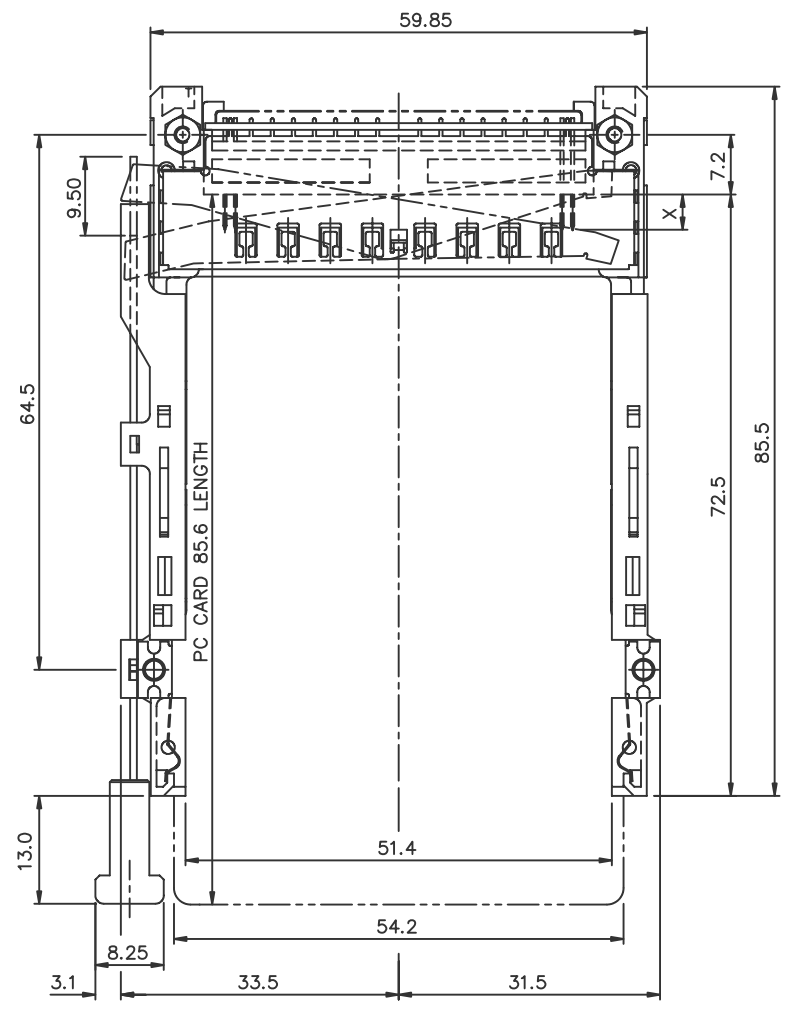


P/N : 73704-000CA/000CALF  
(ABOVE P.C.B/LAYOUT SEE TA-1050)

mat'l code		tolerance unless otherwise specified		CUSTOMER COPY		 www.fciconnect.com	
rev.	ecn no.	dr	date	linear	± 0.30	projection	title CARDBUS EJ HEADER SMT, TYPE 1/2/3
H				angles	± 2°		
		dr	WENDY CHEN	02/11/98	unit	mm/inch	product family : PCMCIA
		enrg	JOSEPH HSIA	02/11/98	scale	1.5:1	code TWN
		chr	JOSEPH HSIA	02/11/98			size dwg no.
		appd	JENN TSAO	02/11/98			73704
sheet	revision						sheet
index	sheet						3 OF

All rights strictly reserved. Reproduction or issue to third parties in any form without the prior written authority from the proprietor. Copyright BERG ELECTRONICS by FCI.

PRODUCT NO.  
SEE TABLE A



P/N : 73704-1\*\*CA/1\*\*CALF  
(ABOVE P.C.B/LAYOUT SEE TA-1050)

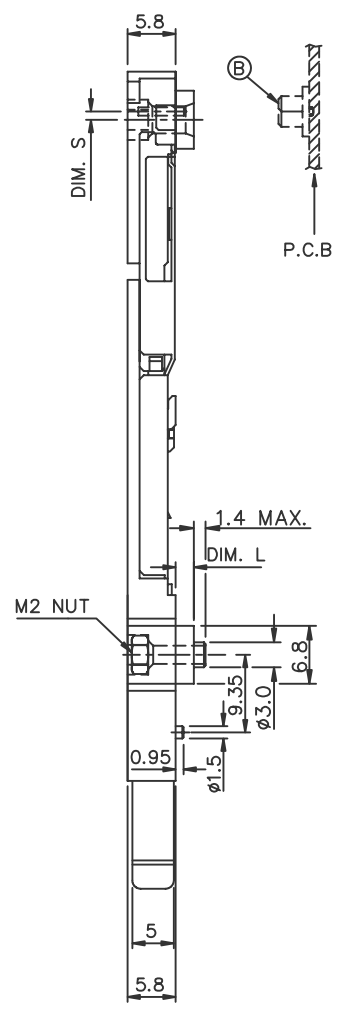
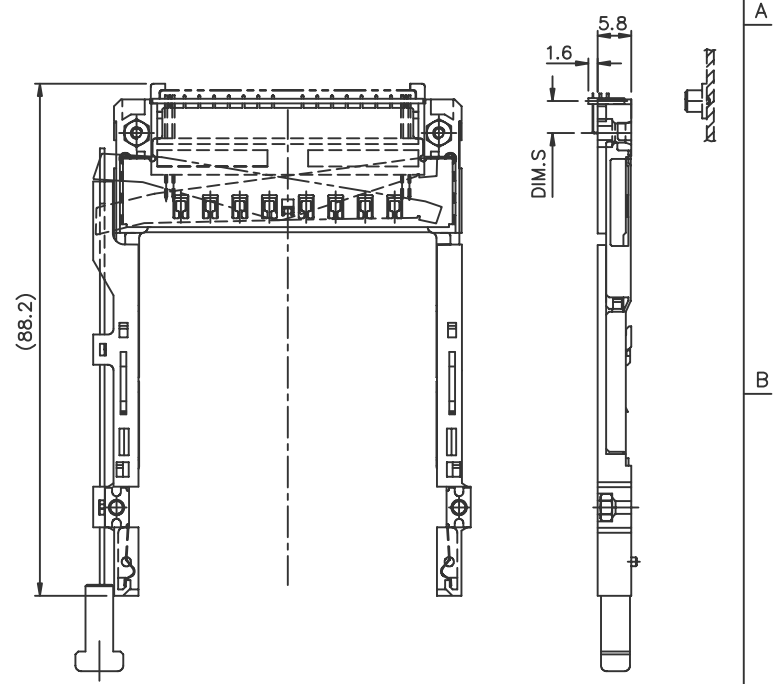


TABLE A

PRODUCT NO.	STAND-OFF(DIM. L)	DIM. S
73704-150CA/150CALF	5.0 mm	-0.3
-143CA/143CALF	4.3 mm	-0.3
-140CA/140CALF	4.0 mm	-0.3
-122CA/122CALF	2.2 mm	1.0
-120CA/120CALF	2.0 mm	1.0
-100CA/100CALF	NONE	5.5



P/N : 73704-100CA/100CALF  
(ABOVE P.C.B/LAYOUT SEE TA-1050)

mat'l code		tolerance unless otherwise specified		CUSTOMER COPY		 www.fciconnect.com	
rev.	ecn no.	dr	date	linear	± 0.30	projection	title CARBUS EJ HEADER SMT, TYPE 1/2/3
H				angles	± 2°		
				dr	WENDY CHEN 02/11/98	unit	product family : PCMCIA size dwg no.
				engr	JOSEPH HSIA 02/11/98	mm/inch	
				chr	JOSEPH HSIA 02/11/98	scale	73704 sheet 4 of 4
				appd	JENN TSAO 02/11/98	1.5:1	
sheet	revision						
index	sheet						

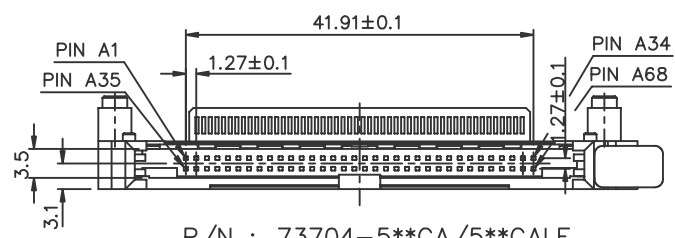
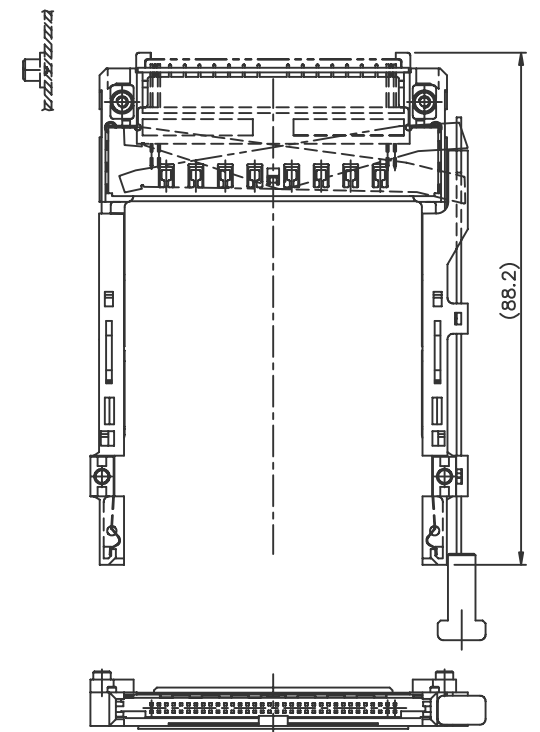
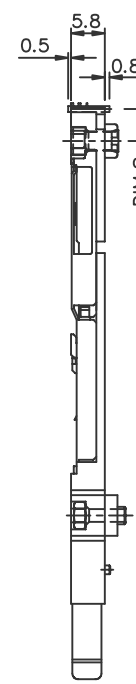
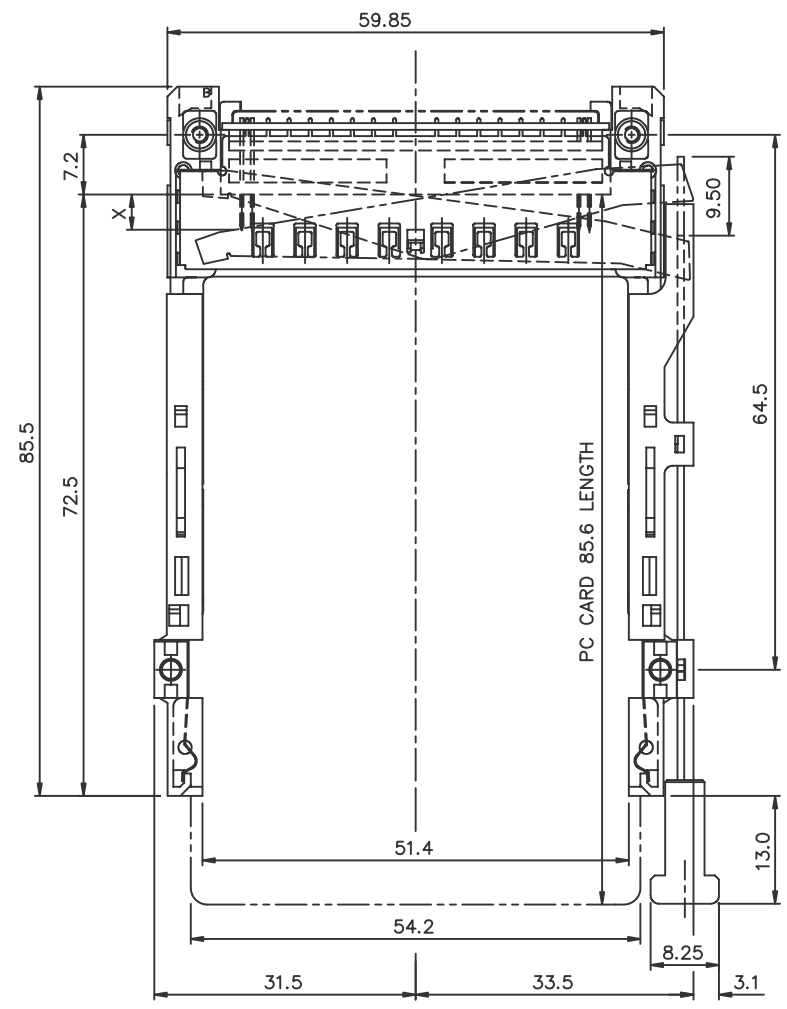
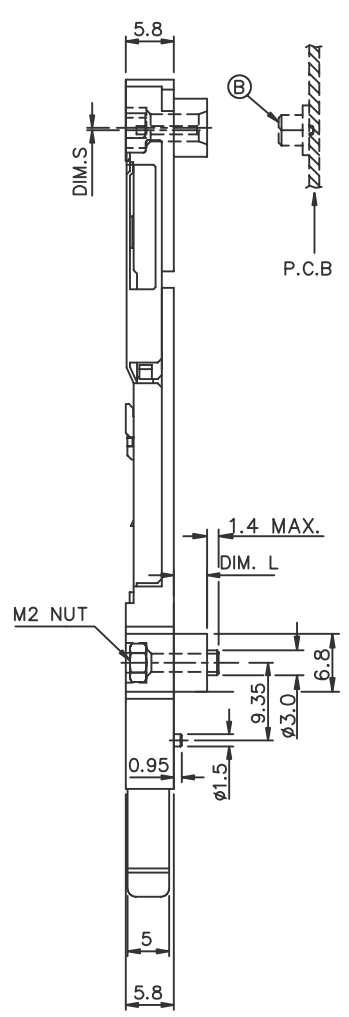
Tous droits strictement réservés. Reproduction ou communication a des tiers int sous quelque forme que ce soit sans autorisation écrite du propriétaire. Propriété de c BERG ELECTRONICS. Droits de reproduction BERG ELECTRONICS by

All rights strictly reserved. Reproduction or issue to third parties in any for whatever is not permitted without written authority from the proprietor. Property of c BERG ELECTRONICS. Copyright BERG ELECTRONICS by

PRODUCT NO.  
SEE TABLE A

TABLE A

(A) PRODUCT NO.	STAND-OFF(DIM. L)	DIM. S
73704-550CA/550CALF	5.0 mm	-0.3
-543CA/543CALF	4.3 mm	-0.3
-540CA/540CALF	4.0 mm	-0.3
-522CA/522CALF	2.2 mm	5.5



P/N : 73704-522CA/522CALF  
(ABOVE P.C.B/LAYOUT SEE TA-1050)

P/N : 73704-5\*\*CA/5\*\*CALF  
(ABOVE P.C.B/LAYOUT SEE TA-1050)

mat'l code		tolerance unless otherwise specified		CUSTOMER COPY		 www.fclconnect.com
rev.	ecn no.	dr	date	linear	± 0.30	
H				angles	± 2°	
		dr	WENDY CHEN	05/09/97	unit	title CARBUS EJ HEADER SMT, TYPE 1/2/3 product family : PCMCIA code TWN sheet 5 OF
		enrg	JOSEPH HSIA	05/09/97	mm/inch	
		chr	JOSEPH HSIA	05/09/97	scale	1.5:1
		appd	JENN TSAO	05/09/97	size	A3
sheet	revision					
index	sheet					

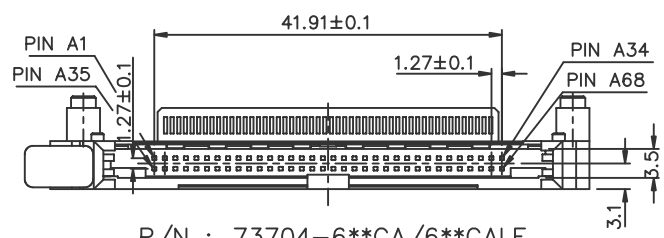
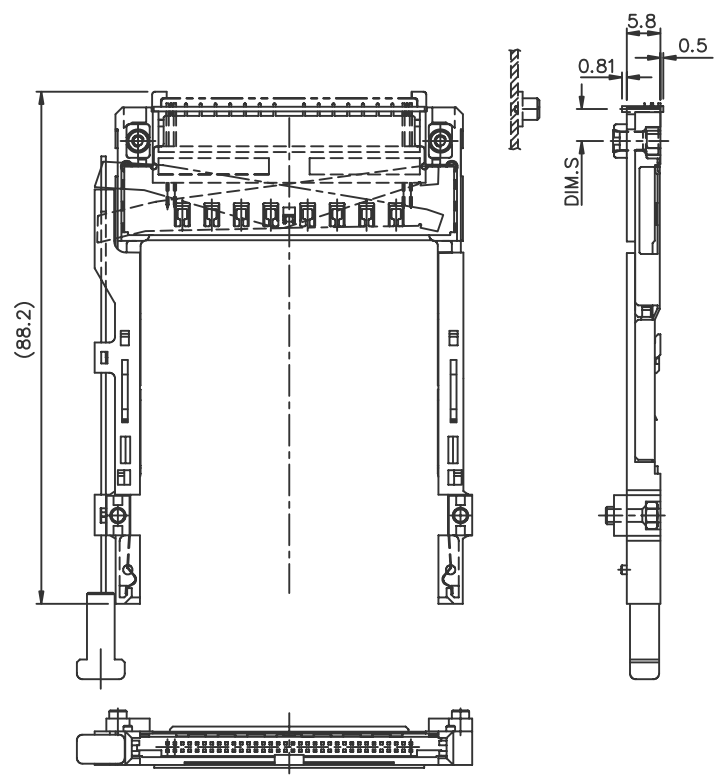
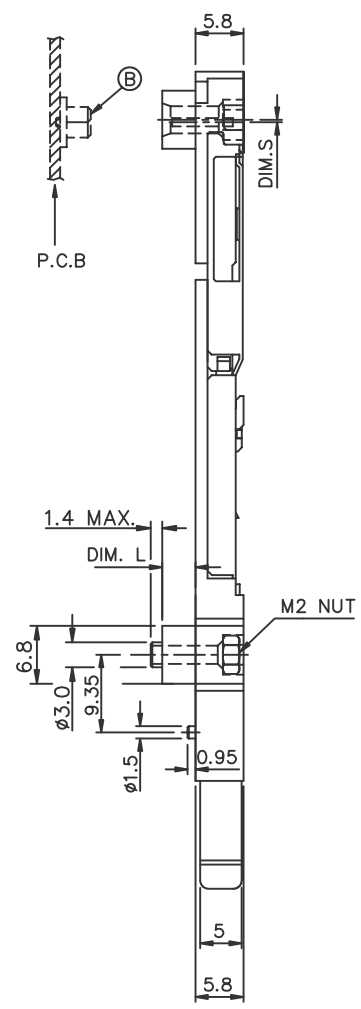
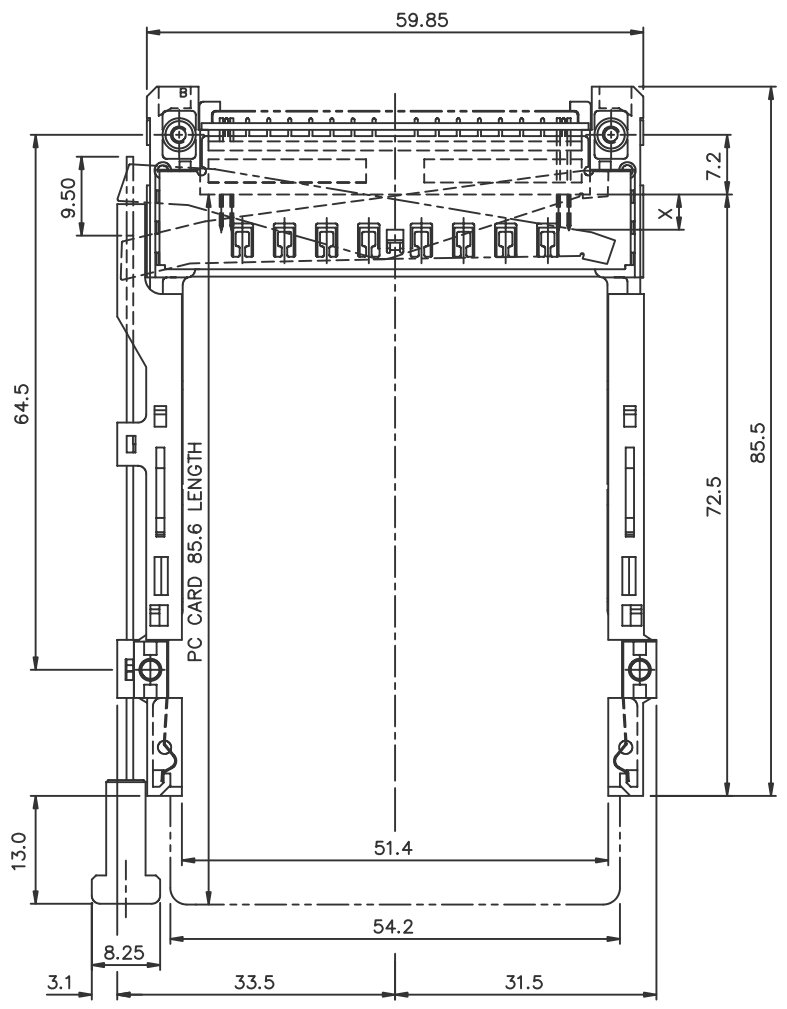
Tous droits strictement réservés. Reproduction ou communication à des tiers sans autorisation écrite du propriétaire.  
 Droits de reproduction BERG ELECTRONICS by FCI

All rights strictly reserved. Reproduction or issue to third parties in any form whatsoever is not permitted without written authority from the proprietor.  
 Property of c BERG ELECTRONICS.  
 Copyright BERG ELECTRONICS by FCI

PRODUCT NO.  
SEE TABLE A

TABLE A

(A) PRODUCT NO.	STAND-OFF(DIM. L)	DIM. S
73704-650CA/650CALF	5.0 mm	-0.3
-643CA/643CALF	4.3 mm	-0.3
-640CA/640CALF	4.0 mm	-0.3
-622CA/622CALF	2.2 mm	5.5



P/N : 73704-6\*\*CA/6\*\*CALF  
(ABOVE P.C.B/LAYOUT SEE TA-1050)

P/N : 73704-622CA/622CALF  
(ABOVE P.C.B/LAYOUT SEE TA-1050)

mat'l code		tolerance unless otherwise specified		CUSTOMER COPY		 www.fciconnect.com	
rev.	ecn no.	dr	date	linear	± 0.30	projection	title CARDBUS EJ HEADER SMT, TYPE 1/2/3
H				angles	± 2°		
		dr	WENDY CHEN	05/09/97	unit	mm/inch	product family : PCMCIA
		engr	JOSEPH HSIA	05/09/97	scale	1.5:1	code TWN
		chr	JOSEPH HSIA	05/09/97			size dwg no.
		appd	JENN TSAO	05/09/97			73704
sheet	revision						6 OF
index	sheet						

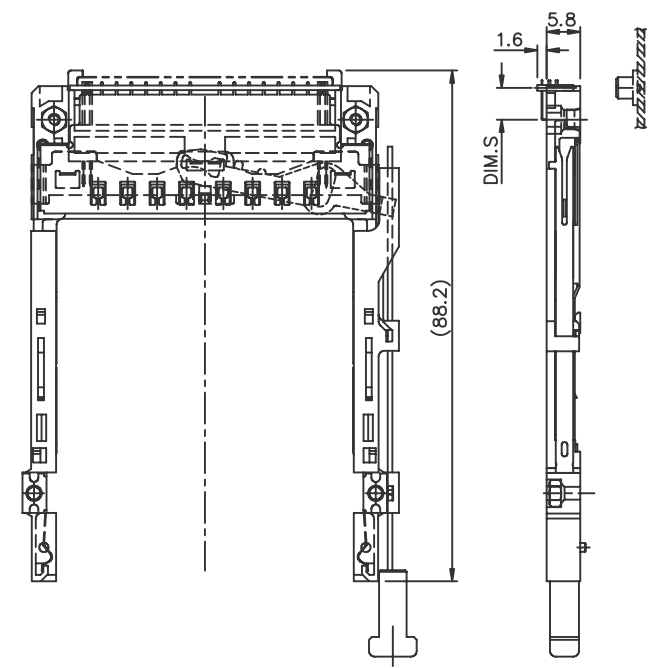
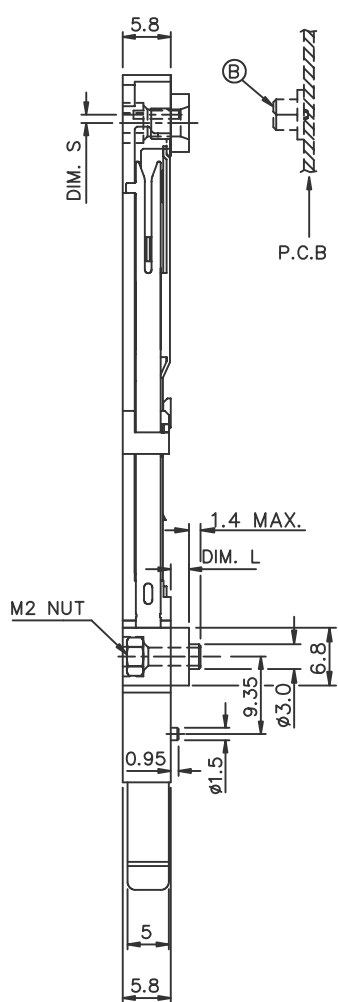
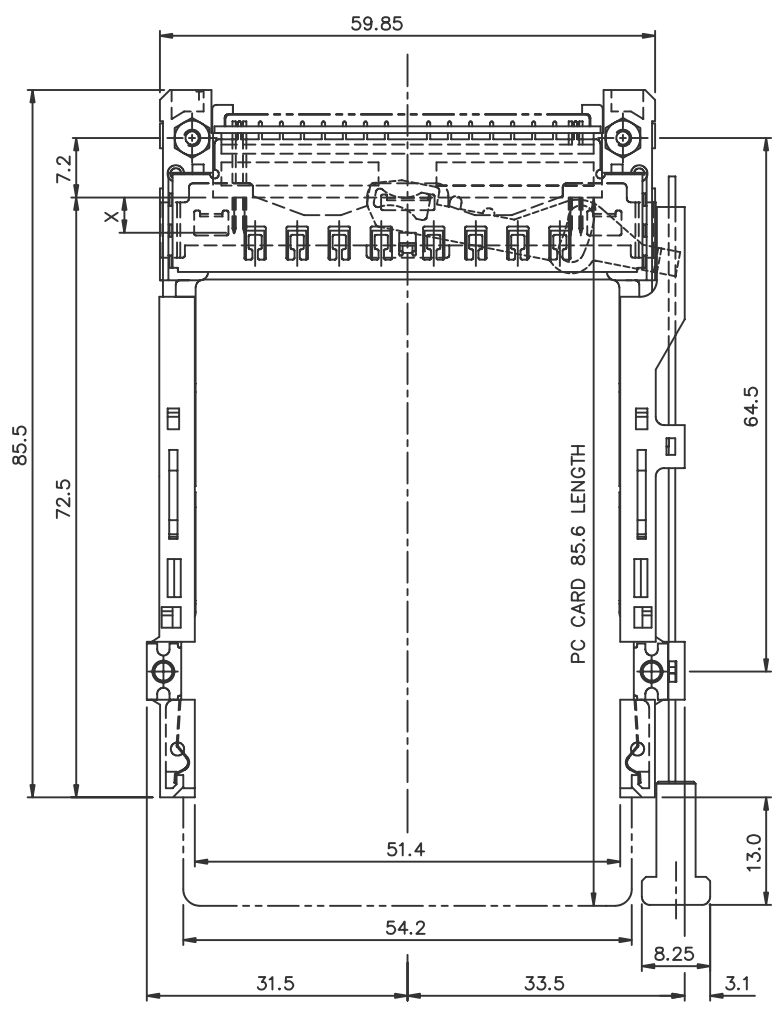
Tous droits strictement réservés. Reproduction ou communication à des tiers sans autorisation écrite du propriétaire. BERG ELECTRONICS

All rights strictly reserved. Reproduction or issue to third parties in any form without written authority from the proprietor. BERG ELECTRONICS

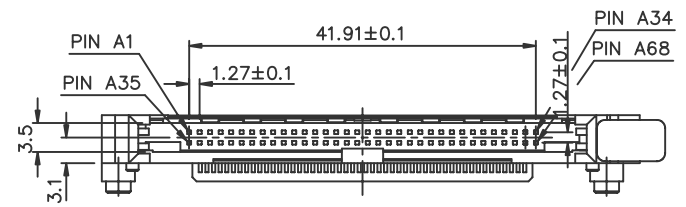
PRODUCT NO.  
SEE TABLE A

TABLE A

① PRODUCT NO.	STAND-OFF(DIM. L)	DIM. S
73704-050CAS	5.0 mm	-0.3
-043CAS	4.3 mm	-0.3
-040CAS	4.0 mm	-0.3
-022CAS	2.2 mm	1.0
-020CAS	2.0 mm	1.0
-000CAS	NONE	5.5



P/N : 73704-000CAS/000CASLF  
(ABOVE P.C.B/LAYOUT SEE TA-1050)



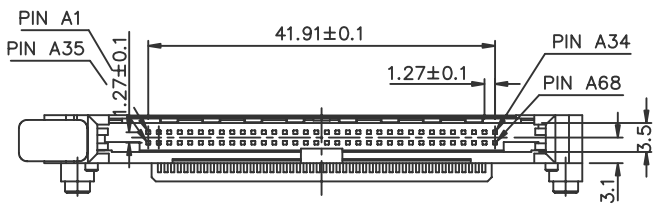
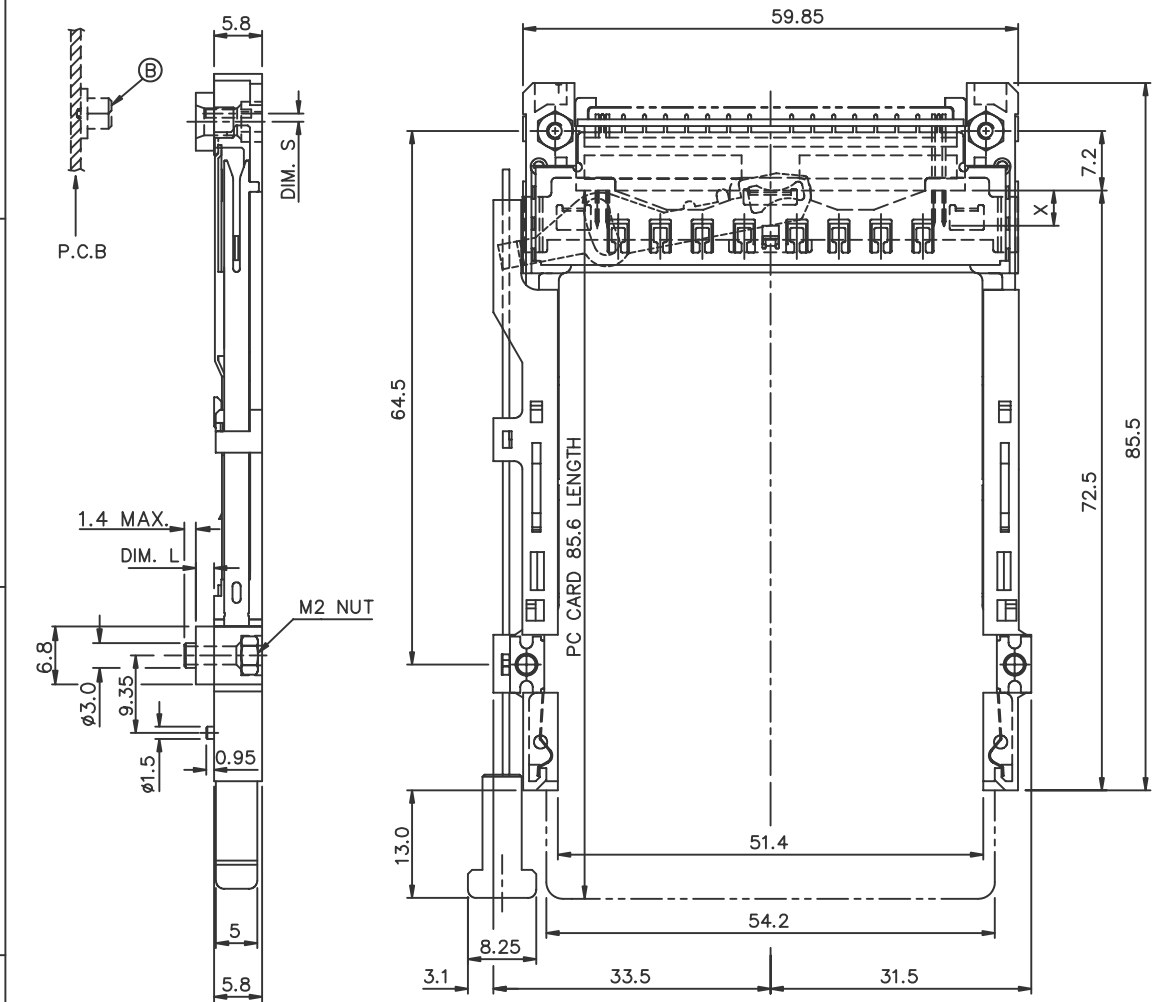
P/N : 73704-0\*\*CAS/0\*\*CASLF  
(ABOVE P.C.B/LAYOUT SEE TA-1050)

mat'l code	tolerance unless otherwise specified	CUSTOMER COPY	 www.fciconnect.com
rev. ecn no. dr date	linear ± 0.30	projection	
H	angles ± 2'		title CARDBUS EJ HEADER SMT, TYPE 1/2/3
dr WENDY CHEN 05/04/99	unit mm/inch	product family PCMCIA	code
enr JOSEPH HSIA 05/04/99	scale 1.5:1	size dwg no.	sheet 7 of
chr JOSEPH HSIA 05/04/99		A3	73704
appd JENN TSAO 05/04/99			
sheet revision			
index sheet			

Tous droits strictement réservés. Reproduction ou communication à des tiers interdite sans autorisation écrite du propriétaire.  
 Berg Electronics Inc. 10000 Woodbine Ave. Unit 10  
 Richmond Hill, Ontario L4B 1N1 Canada  
 Copyright BERG ELECTRONICS by

All rights strictly reserved. Reproduction or issue to third parties in any form without written authority from the proprietor.  
 Berg Electronics Inc. 10000 Woodbine Ave. Unit 10  
 Richmond Hill, Ontario L4B 1N1 Canada  
 Copyright BERG ELECTRONICS by

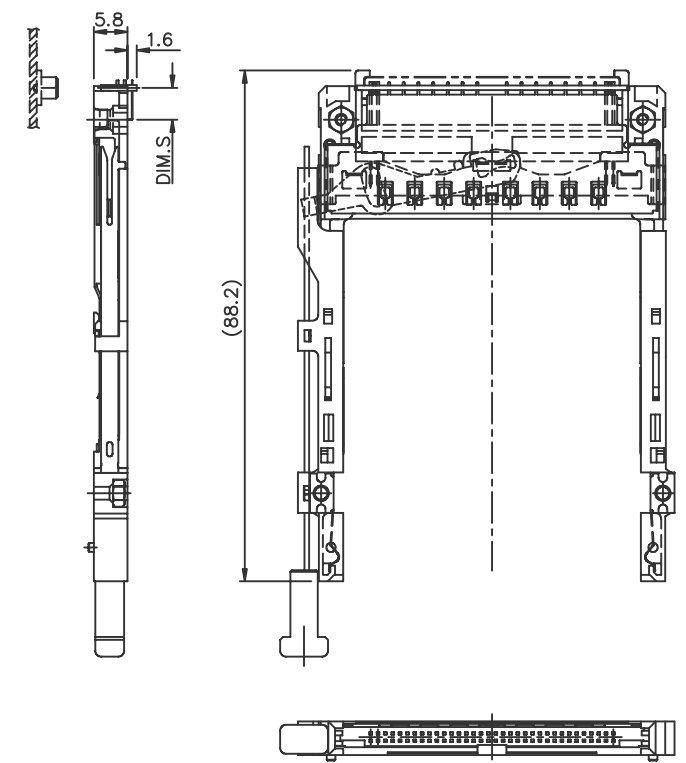
PRODUCT NO.  
 SEE TABLE A



P/N : 73704-1\*\*CAS/1\*\*CASLF  
 (ABOVE P.C.B/LAYOUT SEE TA-1050)

TABLE A

① PRODUCT NO.	STAND-OFF(DIM. L)	DIM. S
73704-150CAS/150CASLF	5.0 mm	-0.3
-143CAS/143CASLF	4.3 mm	-0.3
-140CAS/140CASLF	4.0 mm	-0.3
-122CAS/122CASLF	2.2 mm	1.0
-120CAS/120CASLF	2.0 mm	1.0
-100CAS/100CASLF	NONE	5.5



P/N : 73704-100CAS/100CASLF  
 (ABOVE P.C.B/LAYOUT SEE TA-1050)

mat'l code		tolerance unless otherwise specified		CUSTOMER COPY		 www.fciconnect.com	
rev.	ecn no.	dr	date	linear	± 0.30	projection	title
G				angles	± 2'		CARDBUS EJ HEADER SMT, TYPE 1/2/3
		dr	WENDY CHEN	05/04/99	unit		product family
		enr	JOSEPH HSIA	05/04/99	mm/inch		PCMCIA
		chr	JOSEPH HSIA	05/04/99	scale	1.5:1	code
		appd	JENN TSAO	05/04/99			size
sheet	revision						dwg no.
index	sheet						A3
							73704
							sheet
							8 of



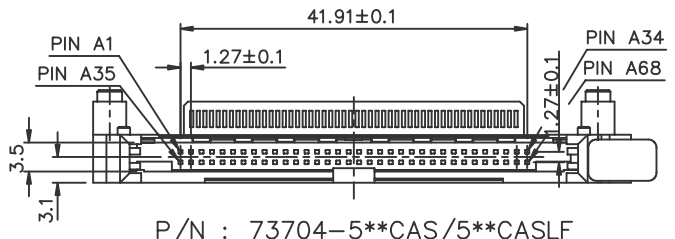
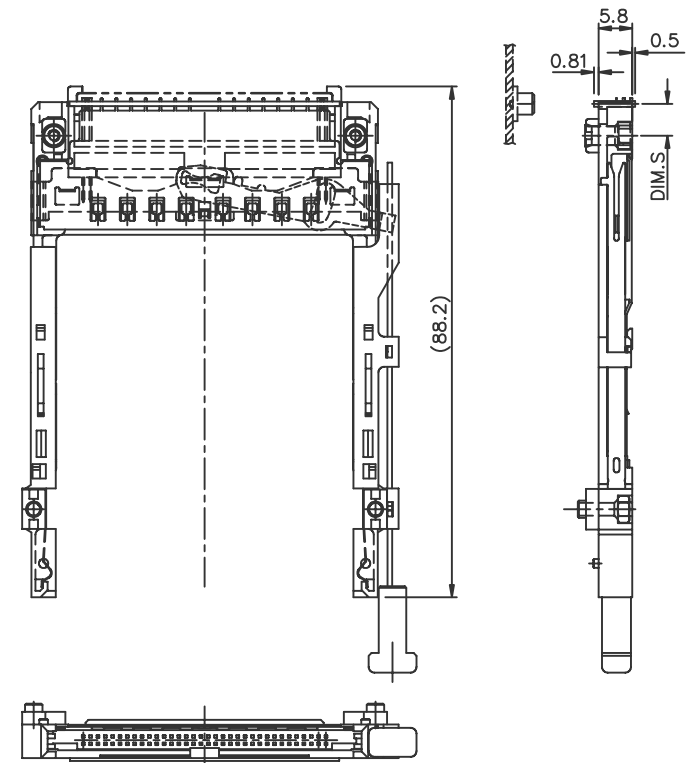
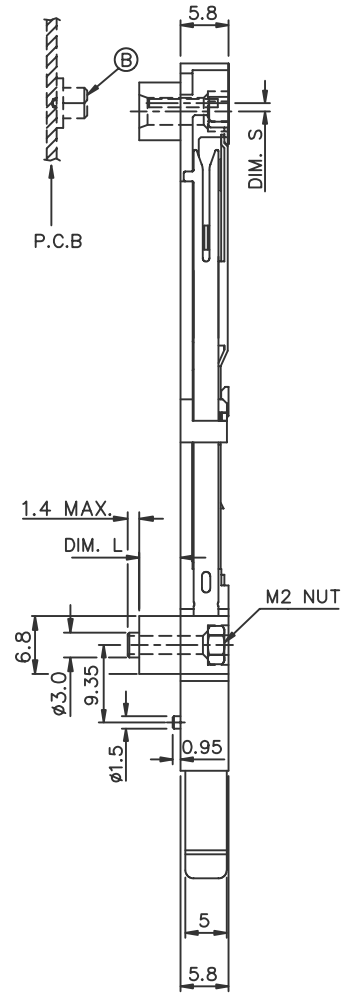
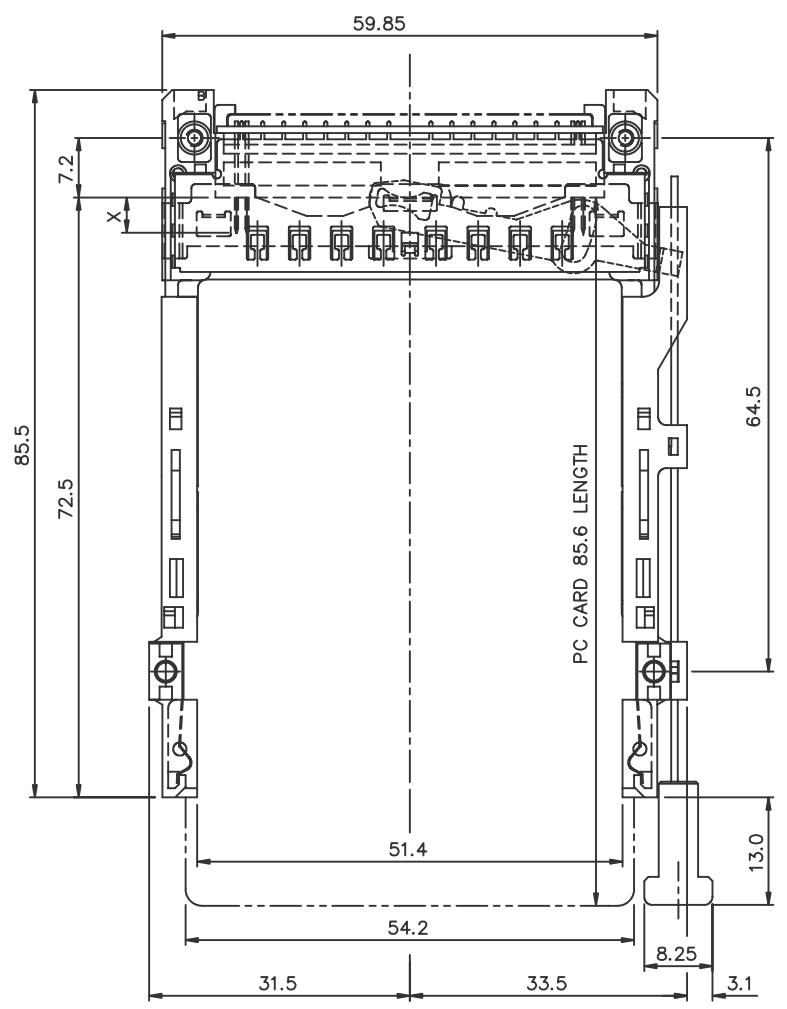
Tous droits strictement réservés. Reproduction ou communication à des tiers sans autorisation écrite du propriétaire. BERG ELECTRONICS propriété de BERG ELECTRONICS. Droits de reproduction BERG ELECTRONICS by

All rights strictly reserved. Reproduction or issue to third parties in any form without written authority from the proprietor. BERG ELECTRONICS property of BERG ELECTRONICS. Copyright BERG ELECTRONICS by

PRODUCT NO.  
SEE TABLE A



TABLE A

① PRODUCT NO.	STAND-OFF(DIM. L)	DIM. S
73704-550CAS/550CASLF	5.0 mm	-0.3
-543CAS/543CASLF	4.3 mm	-0.3
-540CAS/540CASLF	4.0 mm	-0.3
-522CAS/522CASLF	2.2 mm	5.5



P/N : 73704-5\*\*CAS/5\*\*CASLF  
(ABOVE P.C.B/LAYOUT SEE TA-1050)

P/N : 73704-522CAS/522CASLF  
(ABOVE P.C.B/LAYOUT SEE TA-1050)

mat'l code	tolerance unless otherwise specified	CUSTOMER COPY	 www.fciconnect.com	
rev. ecn no. dr date	linear ± 0.30	projection	title CARDBUS EJ HEADER SMT, TYPE 1/2/3	
H	angles ± 2'		product family PCMCIA code	
	dr WENDY CHEN 05/09/97	unit mm/inch	size A3	dwg no. 73704 sheet 9 of 9
	enr JOSEPH HSIA 05/09/97	scale 1.5:1		
	chr JOSEPH HSIA 05/09/97			
	appd JENN TSAO 05/09/97			
sheet index	revision sheet			

Tous droits strictement réservés. Reproduction ou communication à des tiers sans autorisation écrite du propriétaire. BERG ELECTRONICS

All rights strictly reserved. Reproduction or issue to third parties in any form without written authority from the proprietor. BERG ELECTRONICS

PRODUCT NO.  
SEE TABLE A

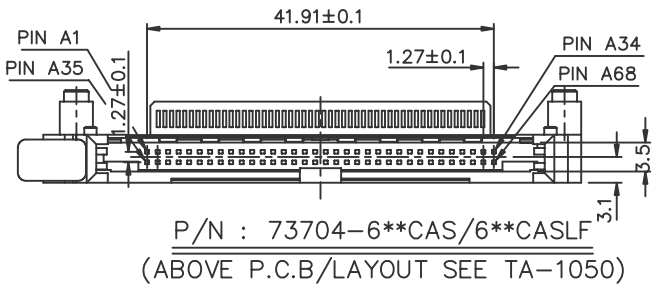
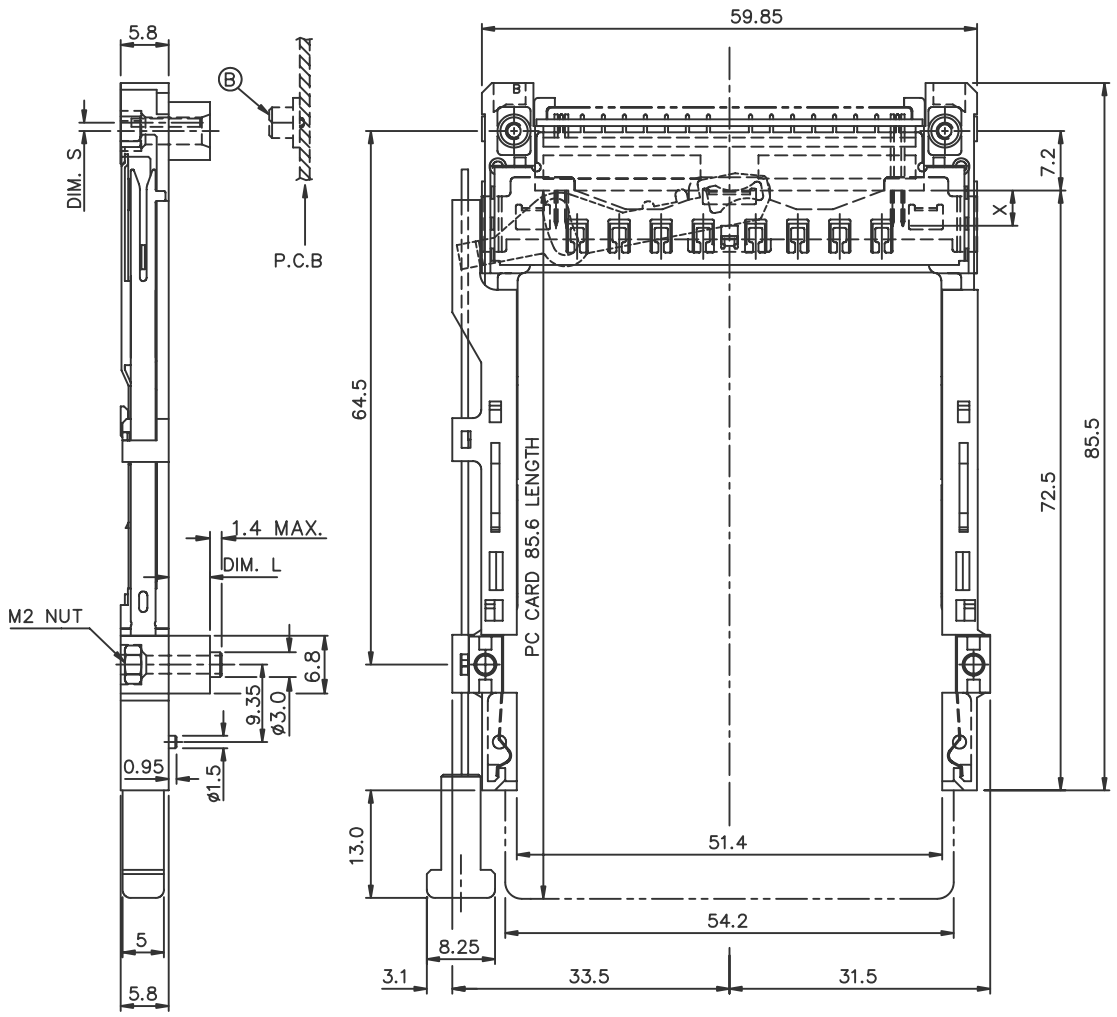
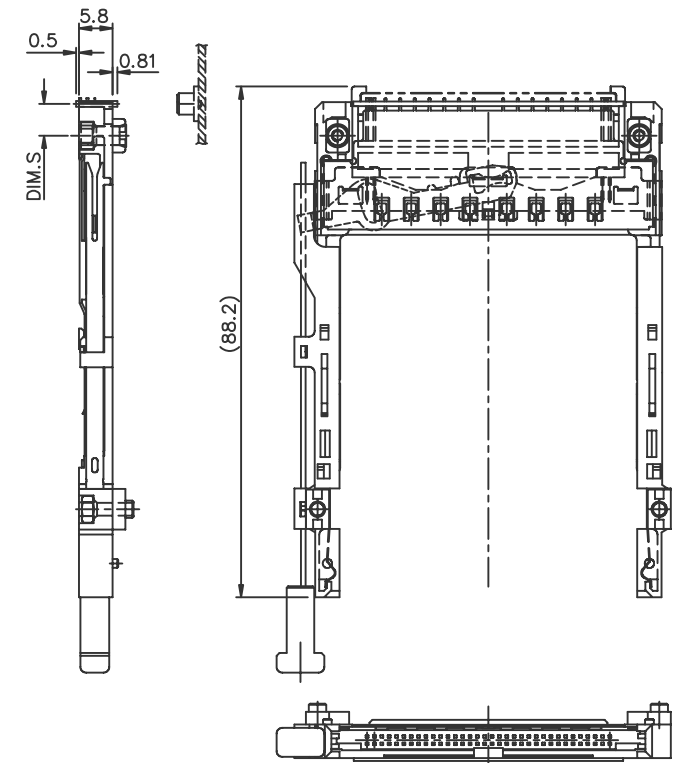


TABLE A

① PRODUCT NO.	STAND-OFF(DIM. L)	DIM. S
73704-650CAS/650CASLF	5.0 mm	-0.3
-643CAS/643CASLF	4.3 mm	-0.3
-640CAS/640CASLF	4.0 mm	-0.3
-622CAS/622CASLF	2.2 mm	5.5

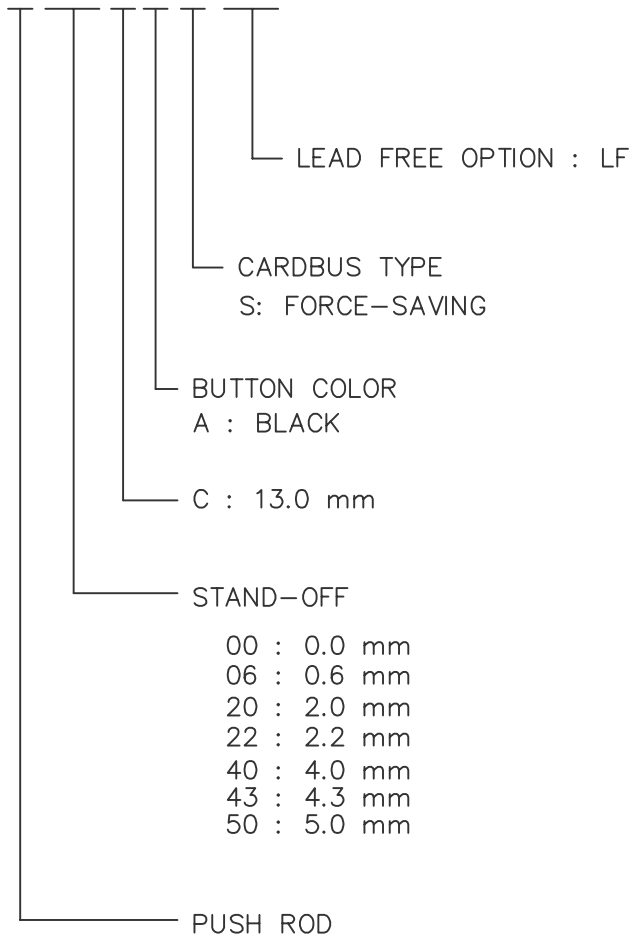


P/N : 73704-622CAS/622CASLF  
(ABOVE P.C.B/LAYOUT SEE TA-1050)

mat'l code		tolerance unless otherwise specified		CUSTOMER COPY		 www.fciconnect.com	
rev.	ecn no.	dr	date	linear	± 0.30	projection	title
H				angles	± 2'		CARDBUS EJ HEADER SMT, TYPE 1/2/3
		dr	WENDY CHEN	05/09/97	unit		product family
		enr	JOSEPH HSIA	05/09/97	mm/inch		PCMCIA
		chr	JOSEPH HSIA	05/09/97	scale	1.5:1	size
		appd	JENN TSAO	05/09/97			dwg no.
sheet	revision						73704
index	sheet						code
							10 of

PART NUMBER DESCRIPTION :

73704-□□□□□□□□



TOP MOUNT	BOTTOM MOUNT
0 : RIGHT	5 : RIGHT
1 : LEFT	6 : LEFT

NOTES:

- 1 8.0mm MIN CARD EJECT.
- 2 EJECT TRAVEL: 9.50mm
- 3 MATERIAL:
  - 3.1 EJECT HEADER ASS'Y  
PLASTIC HOUSING: LCP UL94V-0 BLACK  
PIN: PHOSPHOR BRONZE  
PCB: FR4  
PLASTIC GUIDE: POLYPHTHARAMID UL94V-0 BLACK  
PLATE: STAINLESS  
EMI CONTACT: PHOSPHOR BRONZE
  - 3.2 RECEPTACLE  
PLASTIC: LCP 94V-0 NATURAL  
PIN: BeCu
- 4 FINISH  
PIN :  
UNDER PLATING: 0.5um MIN. Ni  
CONTACT AREA: 0.1um MIN. GOLD OVER  
0.5um MIN. Pd-Ni  
SOLDER TAIL(TIN LEAD OPTION): 2.5um MIN. Sn-Pb  
SOLDER TAIL(LEAD FREE OPTION): 2.5um MIN. PURE TIN  
GROUND SHIELD :  
UNDER PLATING: 0.75um MIN. Ni  
CONTACT SURFACE: 0.03um GOLD MIN. OVER  
PdNi 0.5um MIN.(GOLD FLASH DOUBLE SIDES)  
OR, 0.38um GOLD(ONE SIDE ONLY)
- 5 PUSH ROD LOCATION AND P.C.B. ARE AS APPEARS INSTALLED
- 6 DIM "X"
 

4.25±0.1	3.5±0.1	5.0±0.1
OTHERS	36,67	1,17,34,35,51,68
- 7 DO NOT TOUCH AND KEEP CLEAN THE SURFACES OF PCB OF HEADER ASS'Y.
- 8 P.C.B LAYOUT AND PIN ASSIGNMENT REFERED TO PART NUMBER TA-1050.
- 9 IF LEAD FREE P.N.THE HOUSING WILL WITHSTAND EXPOSURE TO 260°C PEAK TEMPERATURE FOR 10 SECONDS IN A WAVE SOLDER APPLICATION WITH A 1.00MM MINIMUM THICK CIRCUIT BOARD.
- 10 IF LEAD FREE P/N.THE PRODUCT MEETS EUROPEAN UNION DIRECTIVES AND OTHER COUNTRY REGULATIONS AS DISCRIBLED IN GS-22-008
- 11 LEAD FREE P/N PACKAGING MEETS GS-14-920 SPECIFICATION

mat'l code		tolerance unless otherwise specified		CUSTOMER COPY		 www.fciconnect.com			
rev.	ecn no.	dr	date	linear	±0.30			projection	title CARDBUS EJ HEADER SMT, TYPE 1/2/3
H				angles	± 2°		product family : PCMCIA	code	
		dr	WENDY CHEN	05/05/99	unit	mm/inch	size	dwg no.	TWN
		enrg	JOSEPH HSIA	05/05/99	scale	1:1	A3	73704	sheet
		chr	JOSEPH HSIA	05/05/99					11 of
		appd	JENN TSAO	05/05/99					
sheet	revision								
index	sheet								

Tous droits strictement reserves. Reproduction ou communication a des tiers int sous quelque forme que ce soit sans autorisation ecrite du proprietaire. Droits de reproduction BERG ELECTRONICS by  
 All rights strictly reserved. Reproduction or issue to third parties in any for whatever is not permitted without written authority from the proprietor. Copyright BERG ELECTRONICS by

